



Expert Advice. Great Value. Contact Us Today!

Call: [203-647-9147](tel:203-647-9147) Email: sales@haywardts.com

Website: www.haywardturnstiles.com

**SecureTurn HT440
Wide Passage**

Made in America • Maximum Security • Wide Passage • Integrates Easily



SecureTurn HT440 Wide Passage

Shown with included Safety Sleeve Heel Pack (3 sleeves)

Wide Passage Full Height Turnstile:

The SecureTurn HT440 couples maximum entrance and perimeter security with a wider passage width. The HT440 features tamper-proof construction, floor to ceiling security, and can integrate with virtually all access control hardware and software. This full height turnstile can even be outfitted with numerous options and add-ons to further align it with your specific access control project needs.

Materials and finishes available in:

- Hot Dip Galvanized Steel
- Powder Coat over Steel

Optional Padded Safety Sleeves:

Hayward Turnstiles Safety Sleeves are the perfect addition to your full height turnstile. Simply zip them onto your turnstile's arms to prevent injuries, enhance usability, and insulate turnstile arms from extreme temperatures that may be harmful to your turnstile's users.

Other single passage models in this series:

- SecureTurn HT431 Standard Passage 31"
- SecureTurn HT448 Extra Wide Passage 48"

Double passage models in this series:

SecureTurn HT431T provides 2 standard 31" lane width entryways in one space-saving design. Ask your Hayward Turnstiles access control specialists how a tandem full height turnstile may benefit you.

About Hayward Turnstiles:

Hayward Turnstiles is a family owned manufacturer and distributor of turnstiles and security gates located in Connecticut. We draw from over 50 years of precision manufacturing innovation to craft industry leading turnstiles and gates.

Here at Hayward, customer service and a stress-free ordering environment are our primary goals. The members of our sales team act as your personal access control specialists. They take the time to learn about your specific project needs to ensure that you are matched with the products that best fit your job requirements.

To aid in your decision making process, we offer access control advice, design assistance, same-day quotations, and can even coordinate installation by putting you in contact with an installer from our national network of certified partner installers. We go the extra mile so you don't have to.

SAFETY SLEEVE SAVINGS BONUS:

Your choice with any full height turnstile order:

- Heel Pack (3 sleeves) - ~~\$149.95 (Save \$149.95)~~...now **FREE*** or
- Bulk Pack (15 sleeves) - ~~\$749.95 (Save 33%)~~...now **\$499.95*** or
- Total Pack (36 sleeves) - ~~\$1,799.95 (Save 33%)~~...now **\$1,195.95***

Safety Sleeves can also be easily purchased at any time directly from our online store:

<https://www.haywardturnstiles.com/products/safety-sleeve-full-height/>

HT440 Specifications

Applications:

The SecureTurn HT440 is the perfect access control choice for when you are looking for maximum security levels coupled with a wider passage width. Our HT440 is often paired with our matching HTG or HTG-M full height gates to provide a comprehensive, ADA compliant entry solution.

The HT440 is a great choice for fence lines, high-security entry ways, factory entrances, and much more. Indoors or outdoors, the HT440 is a great choice for any high security application.

Product Features:

Materials and finishes in your choice of:

- Hot dipped galvanized steel
- Powder coat over steel

Design & Construction:

- Tamper proof, rugged design
- Configurable for right or left handed entry direction
- Fully welded exterior components
- Heavy-duty lifetime construction
- 3 free safety sleeves with every HT440 purchased

Turnstile Operation:

- Self centering mechanism with hydraulic shock suppression

- Permanently lubricated bearings
- Clockwise, counter clockwise, or bidirectional passage

Options:

- Electronic locking module featuring heavy-duty 24 VDC solenoids that can integrate with virtually all access control software and hardware via a momentary dry contact
- Choice of fail safe (*unlock on power loss*) or fail secure (*lock on power loss*) for electric units only
- Card reader mounting plates (*electric units only*)
- Key override for electric or manual units (*both directions*)
- Red/Green indicator lights (*electric units only*)
- Safety Sleeves (*Safety Orange or Steel Gray*)
- Heavy-duty lock bar (*includes HD padlock*)
- Additional options available upon request

Electrical Specifications:

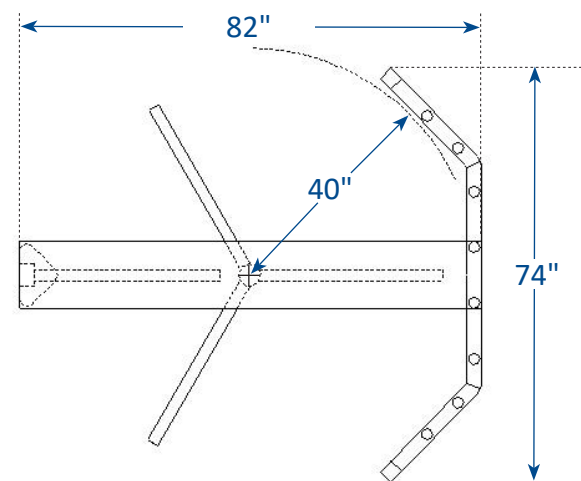
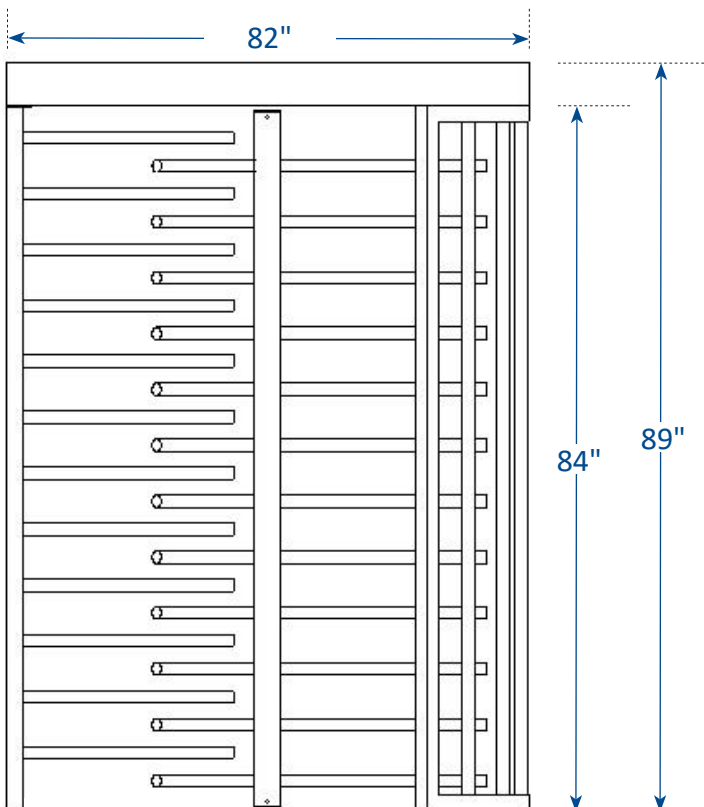
Power supply input 100-240VAC (.7 amp) 50/60hz output 24VDC (1.1 amp) All components UL recognized

Warranty:

Units are warranted against defects in materials and workmanship for a period of one year from date of delivery. See warranty information for specific details.



HT440 Dimensions



Need Installation?

Our Hayward Turnstiles access control specialists can coordinate installation with someone from our nationwide database of certified partner installers. Our partner installers are willing to provide you with an entire turn-key quote where they will handle purchasing, delivery, installation, and integration for you.