

Expert Advice. Great Value. Contact Us Today!

Call: [203-647-9147](tel:203-647-9147) **Email:** sales@haywardts.com

Website: www.haywardturnstile.com

FastTurn MR200 Stainless

Premium Offering • Streamlined Design • USA Made • Low Maintenance

FastTurn MR200 (Stainless)



*See next page for detailed
dimensions and specifications.*

Need Installation?

Our Hayward Turnstiles access control specialists can coordinate installation with someone from our nationwide database of certified partner installers. Our partner installers are willing to provide you with an entire turn-key quote where they will handle purchasing, delivery, installation, and integration for you.

Applications:

The FastTurn MR200 is our premium waist high turnstile offering. Housed in a polished 304 stainless steel shell and featuring extended radiused ends, it provides a perfect blend of aesthetic appeal and rugged functionality to create one of the most versatile waist high turnstiles that can be installed anywhere from a subway to a high-end office building and still blend right in.

The MR200 integrates with virtually all access control software and hardware via a momentary dry contact and can be fitted with a variety of options including counters, indicator lights, key overrides, electronic locking modules, and more. When dependability, aesthetic sophistication, and tamper-proof design are important, companies choose the Hayward Turnstiles MR200 every time.

Materials and finishes available in:

- 304 Stainless Steel

Other single passage models in this series:

FastTurn LC100 Black or Stainless (*Entry-Level Value*)

FastTurn LC100P Portable Black or Stainless (*Entry-Level Value*)

FastTurn MR100 Stainless (*Mid-Level Value*)

About Hayward Turnstiles:

Hayward Turnstiles is a family owned manufacturer and distributor of turnstiles and security gates in Connecticut with over 50 years of precision manufacturing success.

Here at Hayward, customer service and a stress-free ordering environment are our primary goals. The members of our sales team act as your personal access control specialists. They take the time to learn about your specific project needs to ensure that you are matched with the products that best fit your job requirements.

To aid in your decision making process, we offer access control advice, design assistance, same-day quotations, and can even coordinate installation by putting you in contact with an installer from our national network of certified partner installers. We go the extra mile so you don't have to.

FastTurn MR200 Specifications

Applications:

The FastTurn MR200 is the perfect waist high turnstile for a variety of applications. This unit was engineered to withstand high traffic volumes with very little maintenance, making it the perfect access control solution for athletic facilities, campuses, amusement parks, stadiums and office buildings.

With its tamper proof design, the MR200 is a great automatic entry solution when integrated with a credential checking device. The MR200 is also a great choice if you need to count entrants, direct traffic flows, or enhance perimeter security.

Product Features:

- 304 Stainless Steel
- Radius Ends

Design & Construction:

- Streamlined and functional design for secure operations
- Heavy duty steel locking bars, cam, and roller assemblies
- Stainless steel arms and lid
- Strong and durable to last a lifetime of use

Turnstile Operation:

- Single direction or bi-directional passage
- Self-centering control head with hydraulic shock suspension

Options:

- Electric locking module featuring heavy-duty 24 VDC solenoids to integrate with access control (your choice of fail safe or fail secure operation)
- Timed push button (electric units only)
- Electronic six digit resettable counter with LCD display and ten-year lithium battery
- Keyed override (electric units only)
- Out of service lock (electric or manual units)
- Red/Green status indicator lights
- Additional options available upon request

Electrical Specifications:

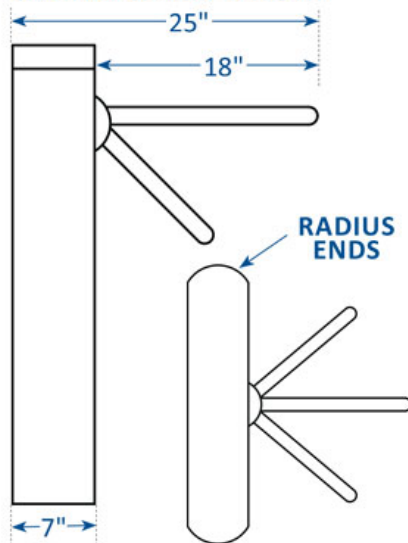
Power supply input 100-240VAC (.7 amp) 50/60hz output 24VDC (1.1 amp) All components UL recognized

Warranty:

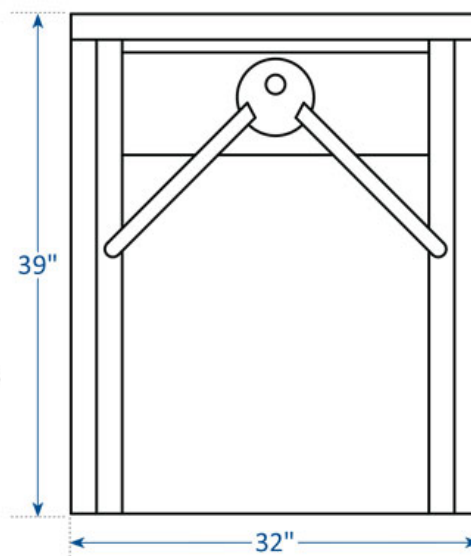
Units are warranted against defects in materials and workmanship for a period of one year from date of delivery. See warranty information for specific details.

FastTurn MR200 Dimensions

CABINET & ARM LENGTH



CABINET PROFILE



BASE PLATE

